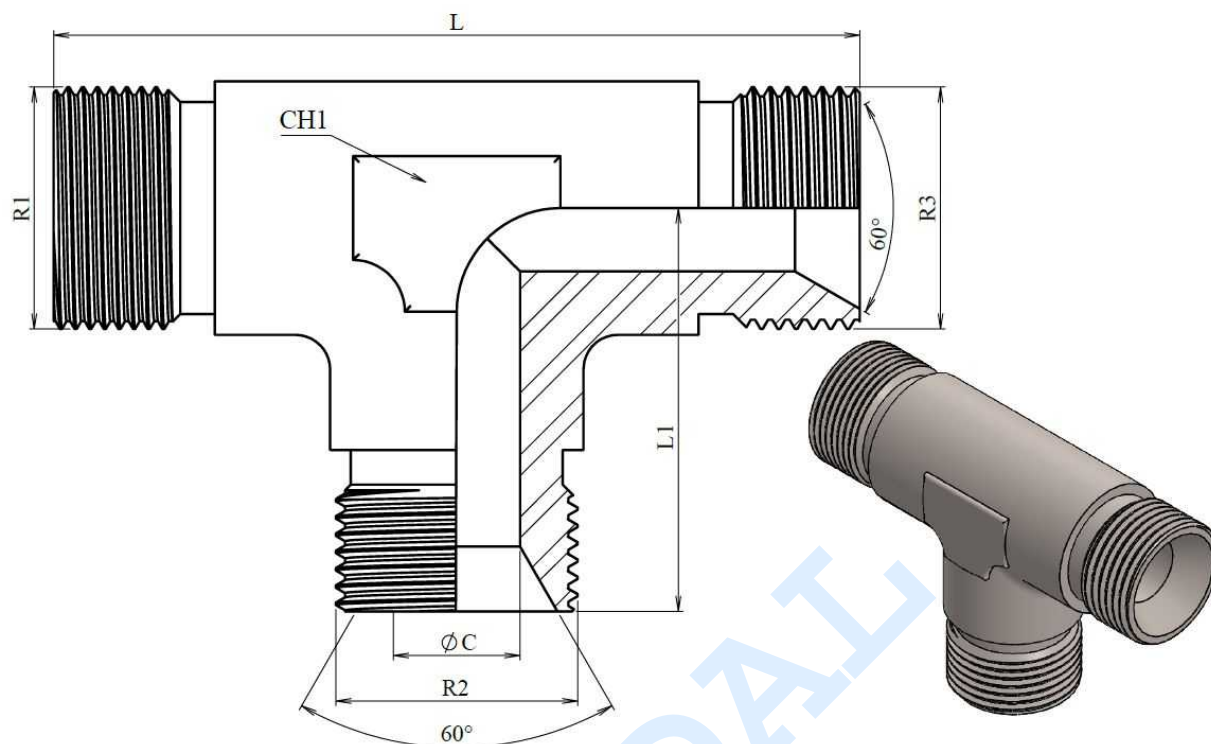


Adaptadores BSP

Te y cruces en forja

Tes macho - macho - macho BSP cono 60º

Acero Inoxidable AISI 316-L



Artículo	R1	R2	R3	L	L1	CH1	ØC
Z122004	1/4" BSP	1/4" BSP	1/4" BSP	50,8	25,4	14	5
Z122006	3/8" BSP	3/8" BSP	3/8" BSP	50,8	25,4	20	8
Z122008	1/2" BSP	1/2" BSP	1/2" BSP	61	30,5	24	11
Z122012	3/4" BSP	3/4" BSP	3/4" BSP	76,2	38,1	28	16
Z122016	1" BSP	1" BSP	1" BSP	89	44,5	36	22
Z122020	1"1/4 BSP	1"1/4 BSP	1"1/4 BSP	101,6	50,8	41	28
Z122024	1"1/2 BSP	1"1/2 BSP	1"1/2 BSP	108	54	41	30